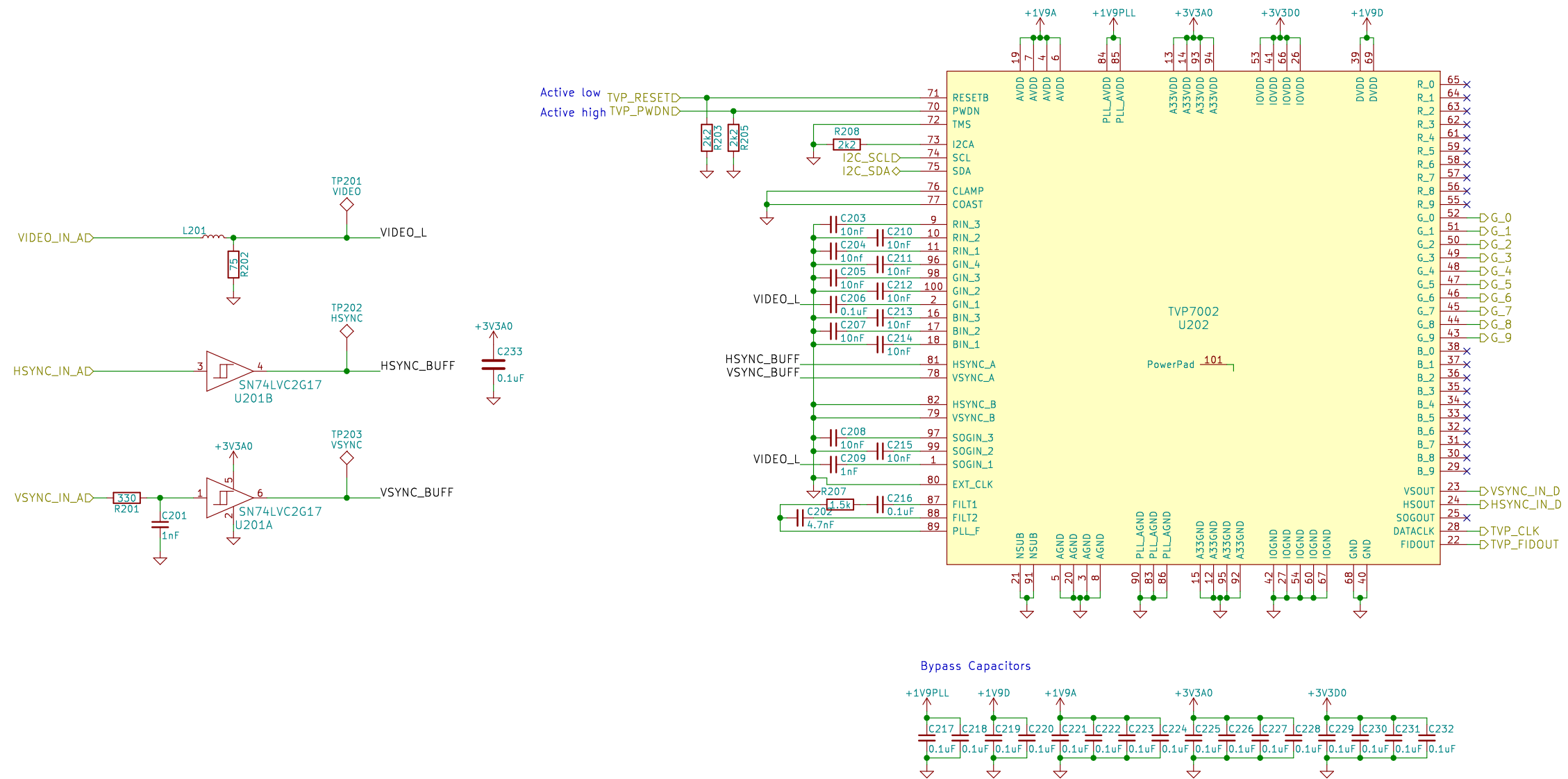


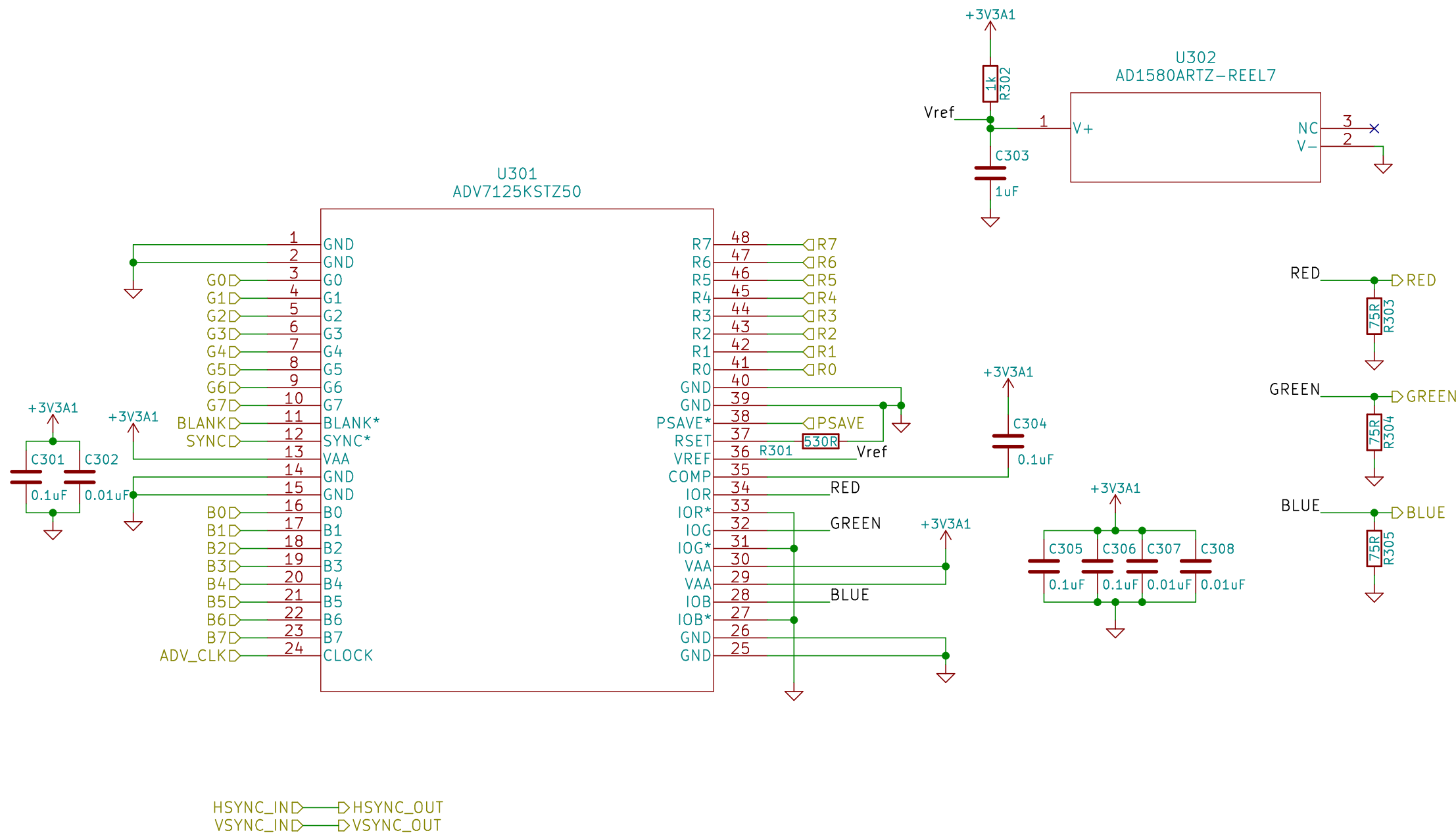
projects.matthollands.com		
Matt Hollands		
Sheet: /		
File: HP2VGA.sch		
Title: HP2VGA		
Size: A3	Date:	Rev: 1.0
KiCad E.D.A. kicad 4.0.5		Id: 1/6

No specific power-up sequence is required, but all power supplies should be active and stable within 500 ms of each other.



Matt Hollands
projects.matthollands.com

Sheet: /RX/		
File: RX.sch		
Title:		
Size: A3	Date:	Rev:
KiCad E.D.A. kicad 4.0.5		Id: 2/6



Sheet: /TX/
File: TX.sch

Title:

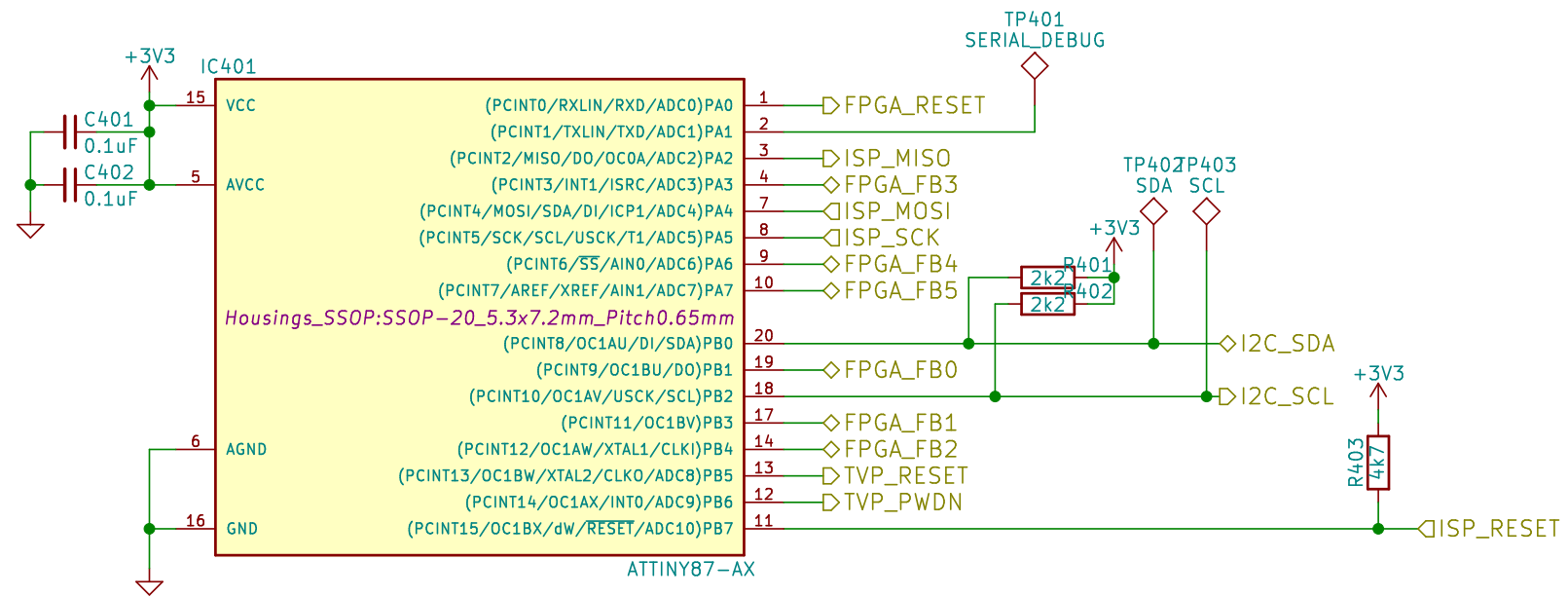
Size: A4

Date:

Rev:

KiCad E.D.A. kicad 4.0.5

Id: 3/6



Sheet: /uC/
 File: uC.sch

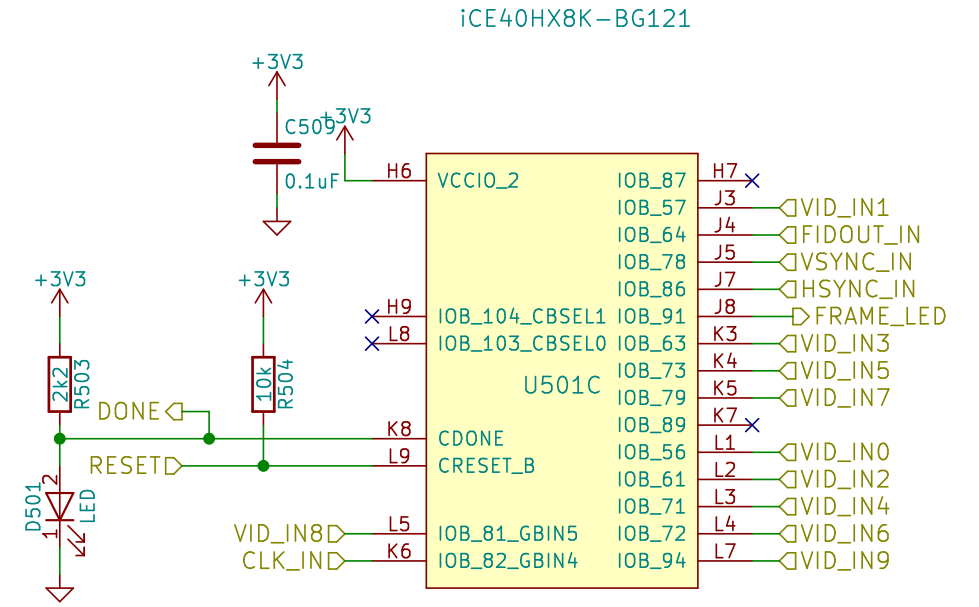
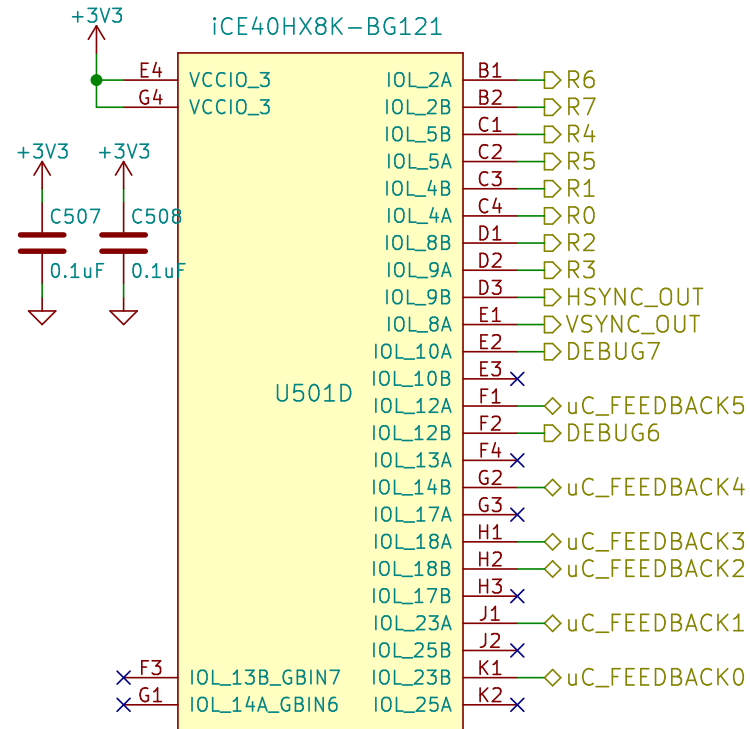
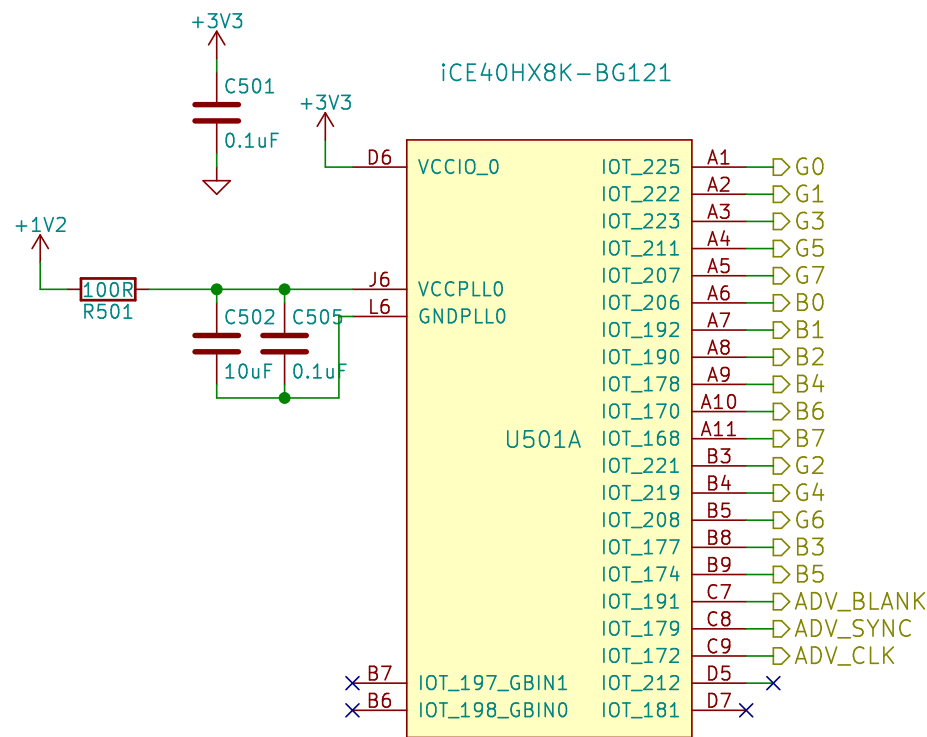
Title:

Size: A4
 KiCad E.D.A. kicad 4.0.5

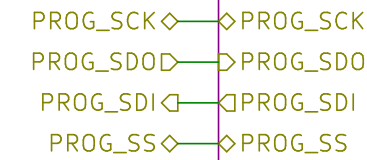
Date:

Rev:

Id: 4/6

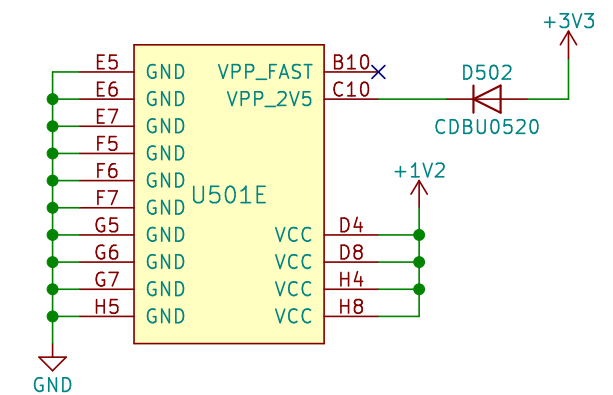
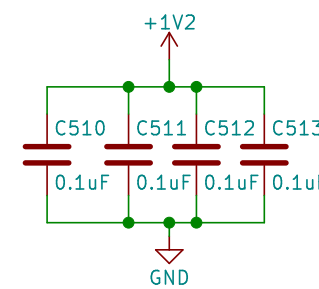
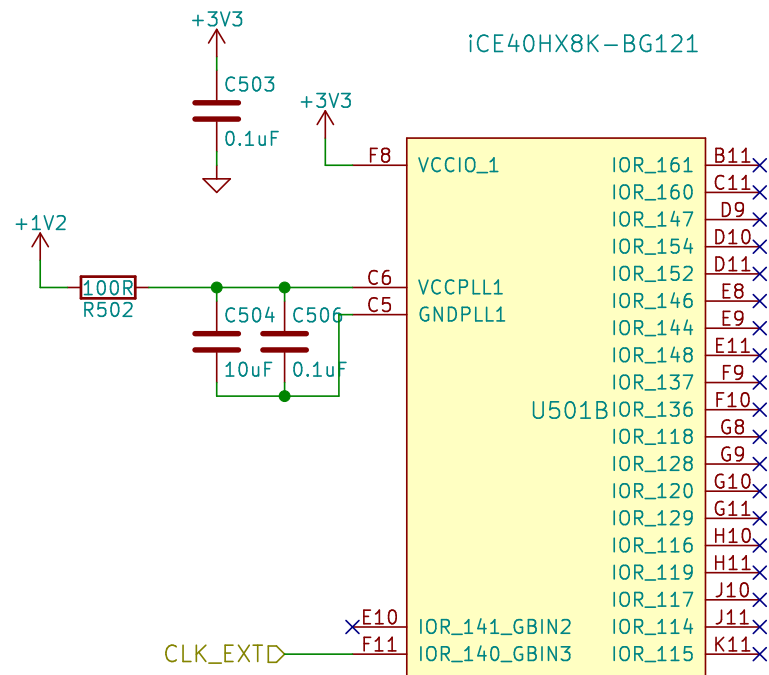


Sheet: SPI



ICE40HX8K-BG121

File: SPI.sch



Sheet: /FPGA/
 File: FPGA.sch

Title:

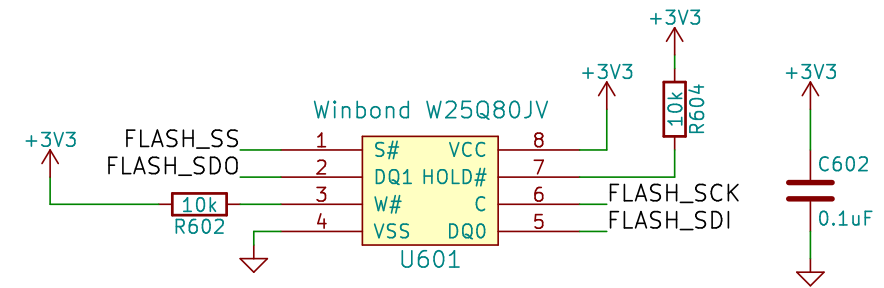
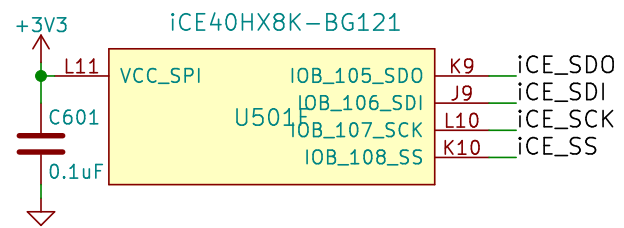
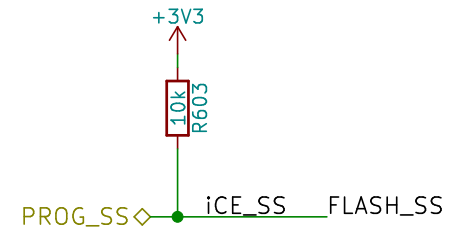
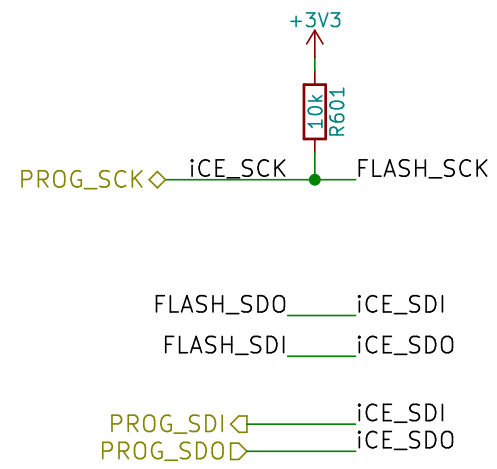
Size: A4

Date:

Rev:

KiCad E.D.A. kicad 4.0.5

Id: 5/6



Sheet: /FPGA/SPI/
File: SPI.sch

Title:

Size: A4 Date:
KiCad E.D.A. kicad 4.0.5

Rev:
Id: 6/6